

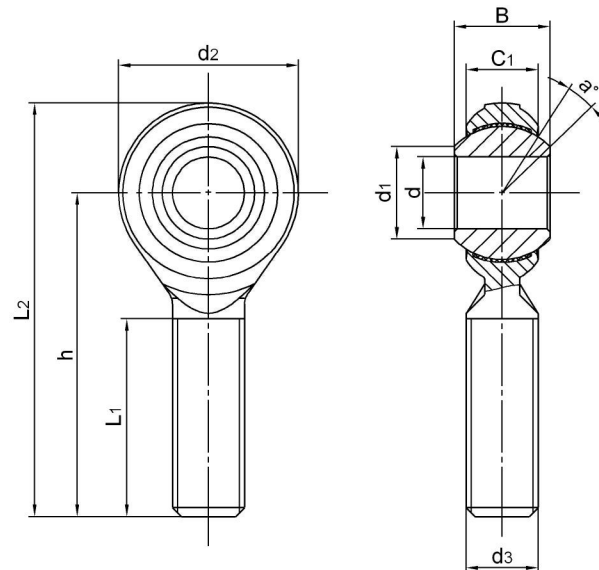
**POS..EC**

Ball: Gcr15 Steel, heat treated, HRC58~64;  
Precision ground, polished

Body: Carbon steel, Zinc plated,chromate treated

Race: PTFE composite

Sliding contact surfaces: Steel/PTFE composite



Bearing No.	Dimensions(mm)									Ball dia	a° mis. angle	Load ratings (KN)		weight ≈ Kg
	d <sub>H7</sub>	B	C1 <sub>MAX</sub>	d <sub>1</sub>	d <sub>2</sub>	d <sub>3-6g</sub>	h	L <sub>1</sub>	L <sub>2</sub>			Dynamic	Static	
POS5EC	5	8	6	7.7	16	M5	33	20	41	11.11	13	3.3	4.8	0.012
POS6EC	6	9	6.75	8.9	18	M6	36	22	45	12.7	13	4.7	6.8	0.019
POS8EC	8	12	9	10.3	22	M8	42	25	53	15.87	14	7.7	12.3	0.032
POS10EC	10	14	10.5	12.9	26	M10	48	29	61	19.05	13	10.4	17.3	0.054
POS12EC	12	16	12	15.4	30	M12	54	33	69	22.22	13	13.5	22.7	0.085
POS14EC	14	19	13.5	16.8	34	M14	60	36	77	25.4	16	17.2	28.2	0.126
POS16EC	16	21	15	19.3	38	M16	66	40	85	28.58	15	21	35.1	0.185
POS18EC	18	23	16.5	21.8	42	M18x1.5	72	44	93	31.75	15	25	43.2	0.260
POS20EC	20	25	18	24.3	46	M20x1.5	78	47	101	34.92	14	29.8	50.3	0.340
POS22EC	22	28	20	25.8	50	M22x1.5	84	51	109	38.1	15	36.2	63.9	0.435

Can supply rod ends with different pitch or accuracy of thread.

For left-hand thread, suffix"L" is added to bearing numbers. eg.: POS20ECL M20 x 1.5L-6H: